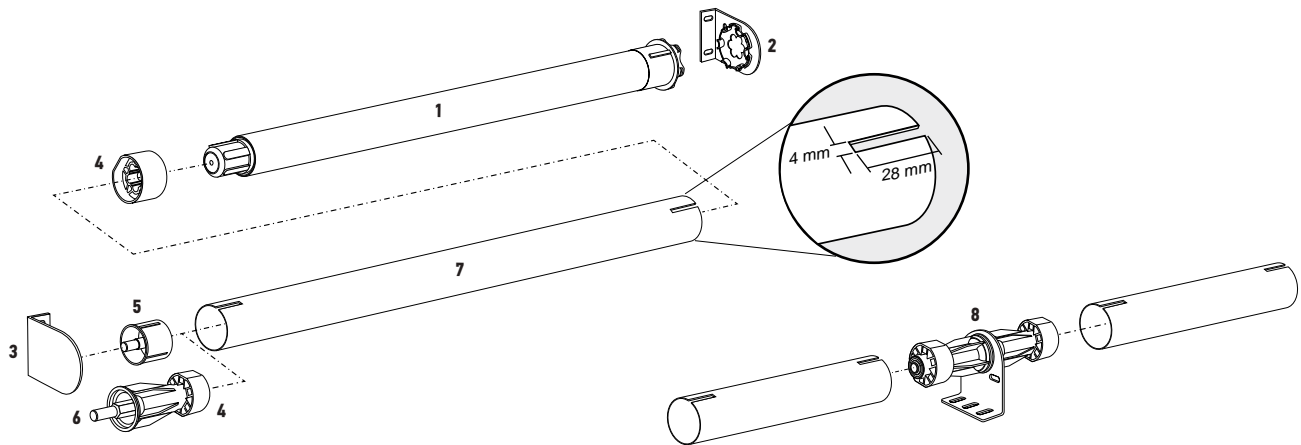


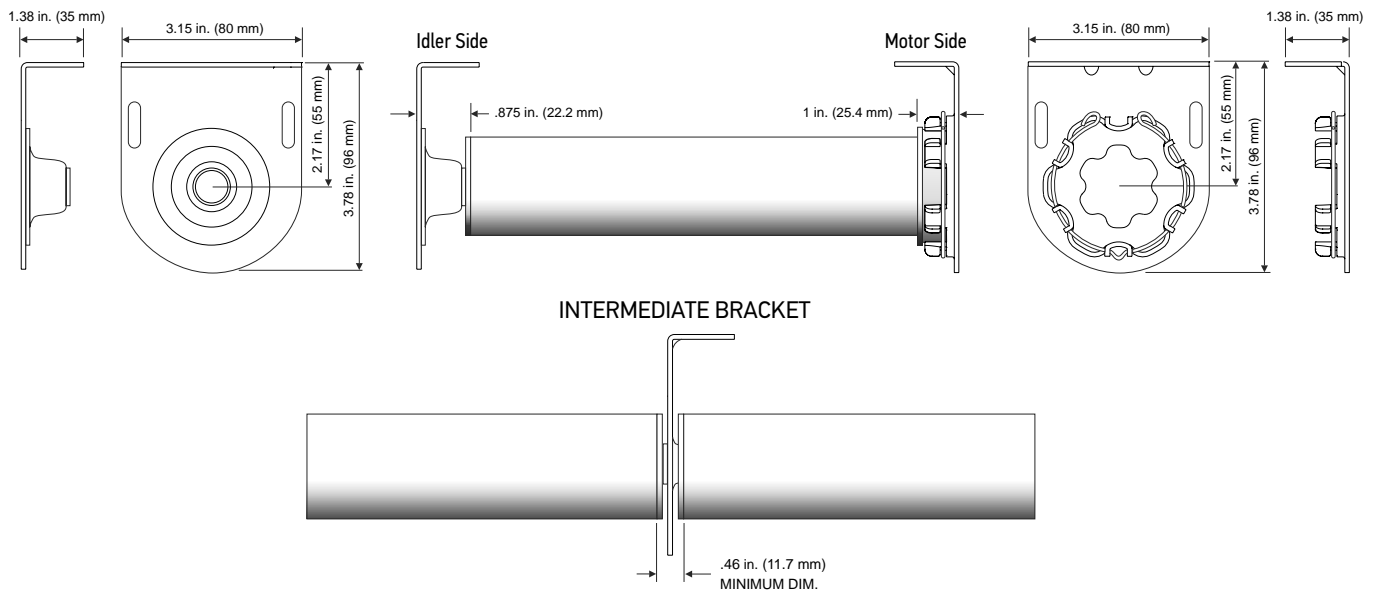
500 SERIES HARDWARE SYSTEMS

SOMFY 2" SYSTEM

STANDARD BRACKET COMPONENTS



DIMENSIONS AND LIGHT GAP SPECIFICATIONS



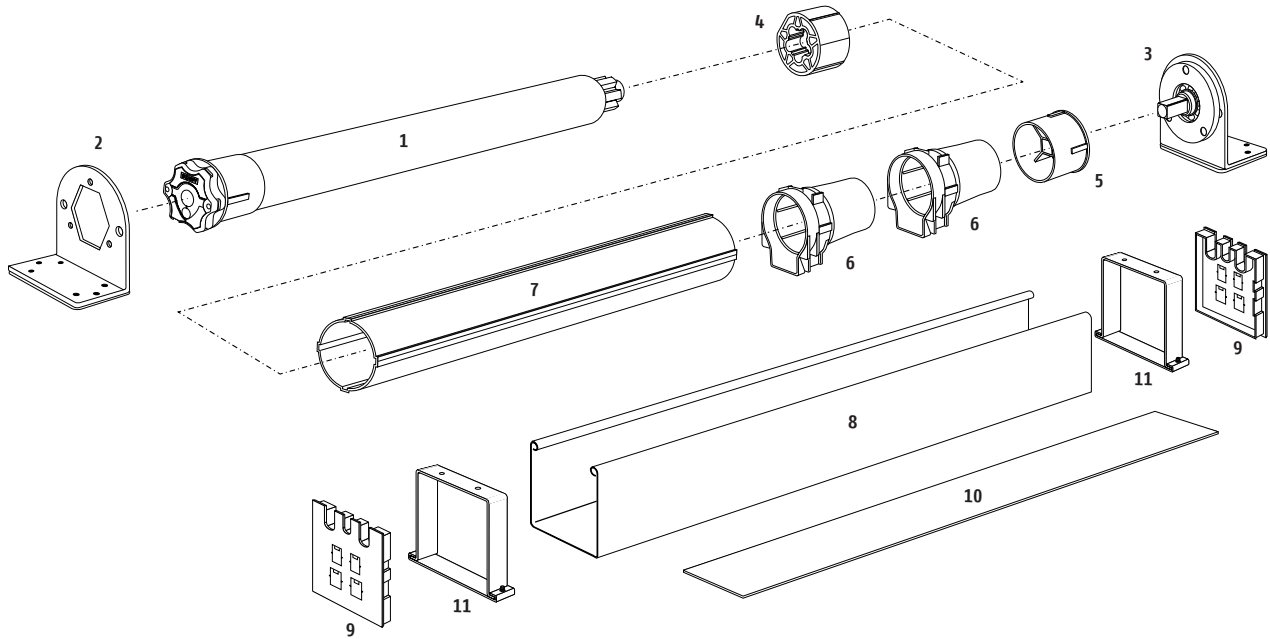
PRODUCT CHART

IMAGE	DESCRIPTION	CATALOG NUMBER
1	Motor - LT50 shown	Refer to individual 500 Series Spec Sheet
2	LT50 Universal Motor Bracket	9410651
3	LT50 Idler Bracket with 10 mm Hole Nylon Bearing	9410635
4	2" Round LT50 - Hard Clip	9206088
5	2" Collapsible End Cap (silent) - 10 mm Shaft (requires notch in tube)	9013592
6	2" Universal End Cap - Collapsible 10 mm Shaft (requires notch in tube)	9420800
7	2" Aluminum Tube	1781148
8	LT50 2" Universal Intermediate Bracket Kit (requires notch in tube)	9410648

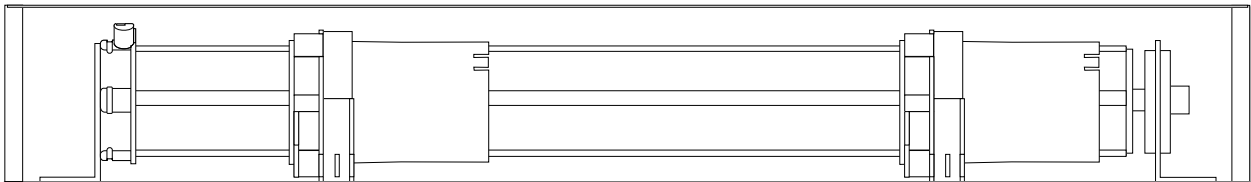
500 SERIES HARDWARE SYSTEMS

SOMFY CTS50 SYSTEM

STANDARD BRACKET COMPONENTS



COMPLETE ASSEMBLY



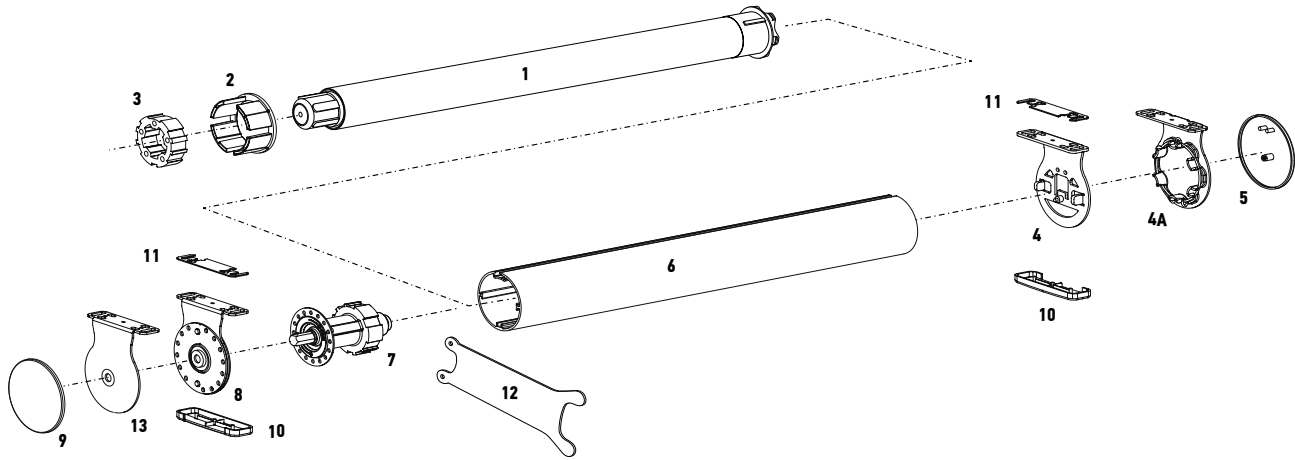
PRODUCT CHART

IMAGE	DESCRIPTION	CATALOG NUMBER
1	Motor - LT50 shown	Refer to individual 500 Series Spec Sheet
2	CTS50 Motor Mount Bracket	1781110
3	CTS50 Motor Idler Bracket	1781112
4	2" LT Drive for CTS50 Tube	9704080
5	CTS50 Idler End Cap	1781113
6	CTS50 Kit (cone, cradle bearing, tilting rod, end cover)	1781129
7	CTS50 Aluminum Tube	1781150
8	CTS50 Aluminum Headrail	1781106
9	Headrail End Caps	1781105
10	Headrail Cover	1781107
11	Headrail Mounting Bracket	1781111

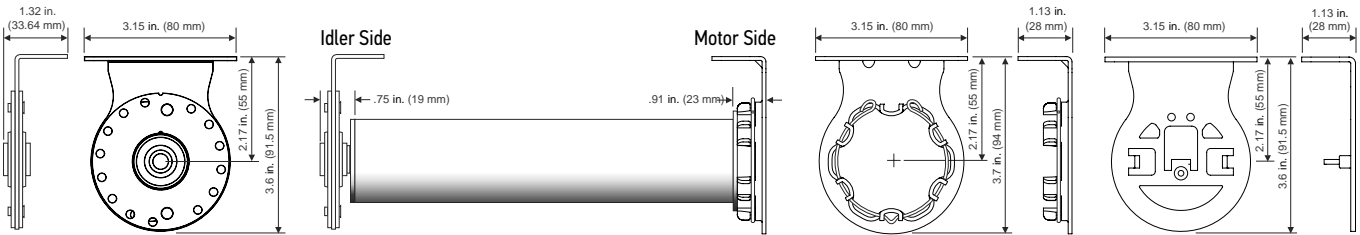
500 SERIES HARDWARE SYSTEMS

ACMEDA®

STANDARD BRACKET COMPONENTS



DIMENSIONS AND LIGHT GAP SPECIFICATIONS



PRODUCT CHART

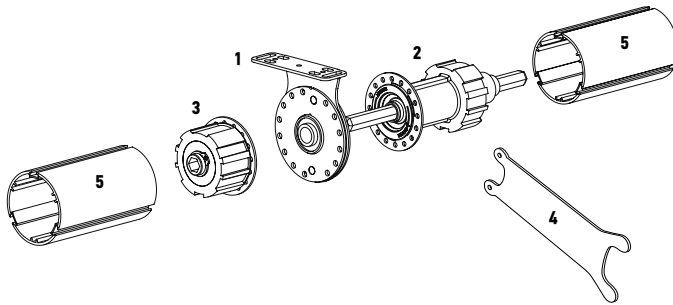
IMAGE	DESCRIPTION	CATALOG NUMBER
1	Motor (Sonesse® 50 RTS)	Refer to individual 500 Series Spec Sheet
2	ST50 Crown 56 mm Tube	9014125
3	ST50 Drive Wheel 56 mm Tube	9014126
4	ST50 Round Head Motor Bracket 55P	9014109
4A	ST50 Star Head Motor Bracket 55P	9014135
5	ST50 Motor Bracket Cover	9014111
6	56 OD Aluminum Sonesse 50 Tube (ft) - White Powder Coat	1780744
6	56 OD Aluminum Sonesse 50 Tube (ft) - Mill Finish	1780743
7	ST50 Auto Plug End 56 mm Tube	9014097
8	ST50 Adjustable Idler Bracket - Ceiling Mount 55P	9014110
8	ST50 Adjustable Idler End Bracket - Wall Mount 55P	9014238
9	ST50 Idler Bracket Cover	9014112
10	ST50 Screw Plate Cover	9014113
11	ST50 Mounting Shim	9014124
12	ST50 Bracket Leveling Adjuster Tool	1780742
13	Non-Adjustable Idler Bracket 55P	9014683

500 SERIES HARDWARE SYSTEMS

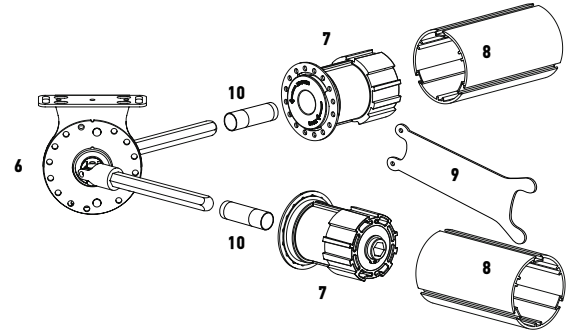
ACMEDA®

INTERMEDIATE BRACKET COMPONENTS (STANDARD & 0-90°)

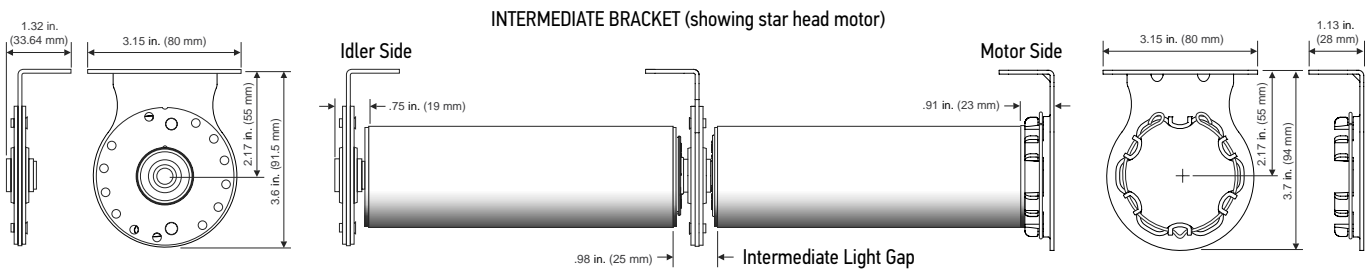
INTERMEDIATE STANDARD



INTERMEDIATE 0°- 90°



DIMENSIONS AND LIGHT GAP SPECIFICATIONS (INTERMEDIATE)



PRODUCT CHART - STANDARD

IMAGE	DESCRIPTION	CATALOG NUMBER
1	ST50 Intermediate Bracket Ceiling Mount 55P	9014120
1	ST50 Intermediate Bracket Wall Mount 55P	9014240
2	ST50 Intermediate Drive 56 mm Tube	9014114
3	ST50 Intermediate Receiver 56 mm Tube	9014121
4	ST50 Bracket Leveling Adjuster Tool	1780742
5	56mm OD Aluminum Sonesse 50 Tube (ft) - White Powder Coat	1780744
5	56mm OD Aluminum Sonesse 50 Tube (ft) - Mill Finish	1780743

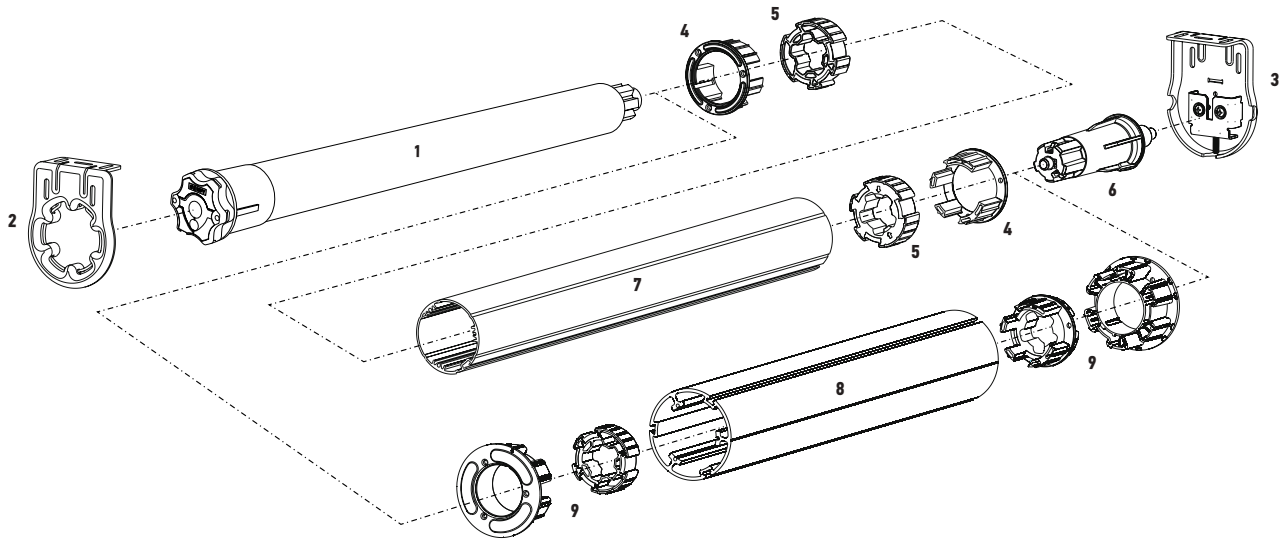
PRODUCT CHART - 0° to 90°

IMAGE	DESCRIPTION	CATALOG NUMBER
6	50 Intermediate Bracket Ceiling Mount 55P / 90°	9014122
6	ST50 Intermediate Bracket Wall Mount 55P / 90°	9014239
7	ST50 Intermediate Receiver 56 mm Tube 90° (spacer included)	9014123
8	56mm OD Aluminum Sonesse 50 Tube (ft) - White Powder Coat	1780744
8	56mm OD Aluminum Sonesse 50 Tube (ft) - Mill Finish	1780743
9	ST50 Bracket Leveling Adjuster Tool	1780742
10	Spacer (included with 9014123)	NA

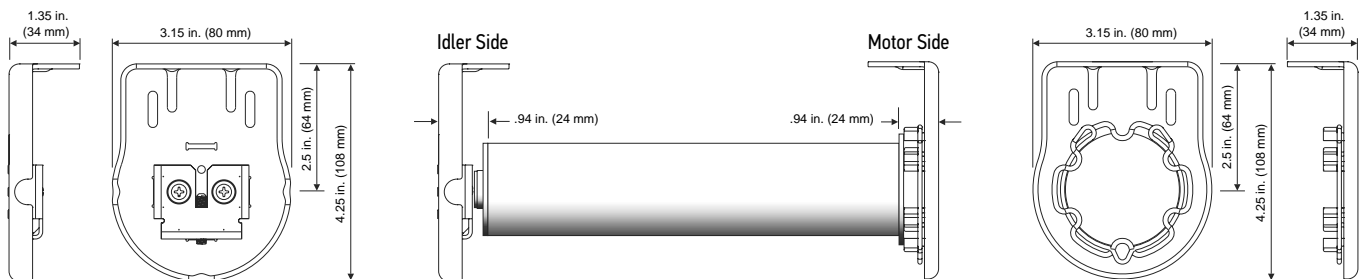
500 SERIES HARDWARE SYSTEMS

ROLLEASE® SILENT PIN SYSTEM

STANDARD BRACKET COMPONENTS



DIMENSIONS AND LIGHT GAP SPECIFICATIONS



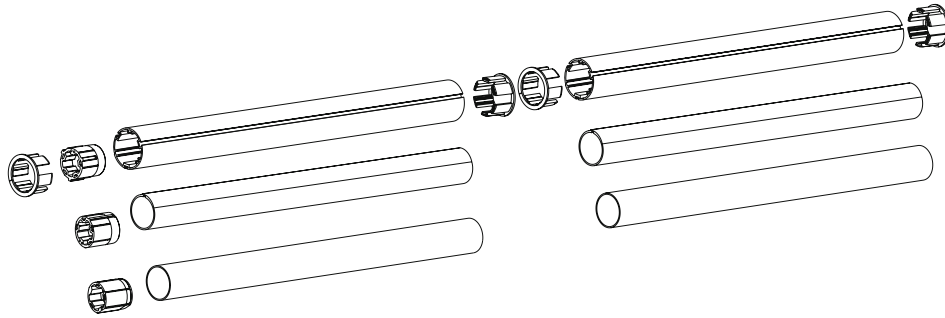
PRODUCT CHART

IMAGE	DESCRIPTION	CATALOG NUMBER
1	Motor - LT50 shown	Refer to individual 500 Series Spec Sheet
2	RollEase® "Silent Pin" Motor Bracket White	9016858
3	RollEase® "Silent Pin" Idler Bracket Wall and Ceiling Mount - White	9016859
4	RollEase® "Silent Pin" Crown only for RollEase 2.5" (63 mm) Tube	9016856
4 & 5	RollEase® "Silent Pin" Crown and Drive Adaptor for RollEase 2.5" (63 mm) Tube	9015234
6	RollEase® "Silent Pin" Idler End Pin	9016857
7	2.5" O.D. Aluminum Tube	1781343
8	3.25" O.D. Aluminum Tube	1782096
9	RollEase® "Silent Pin" Crown and Drive Adaptor for RollEase 3.25" (83 mm) Tube	9016855

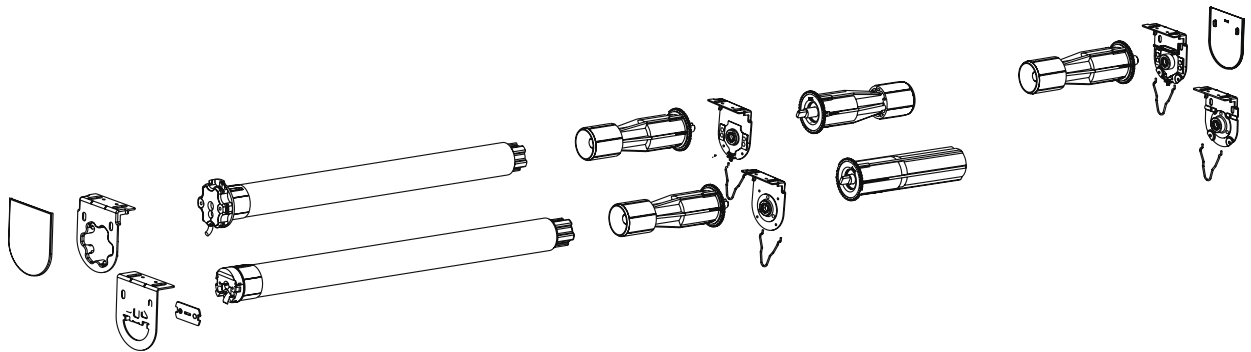
500 SERIES HARDWARE SYSTEMS

ZMC®

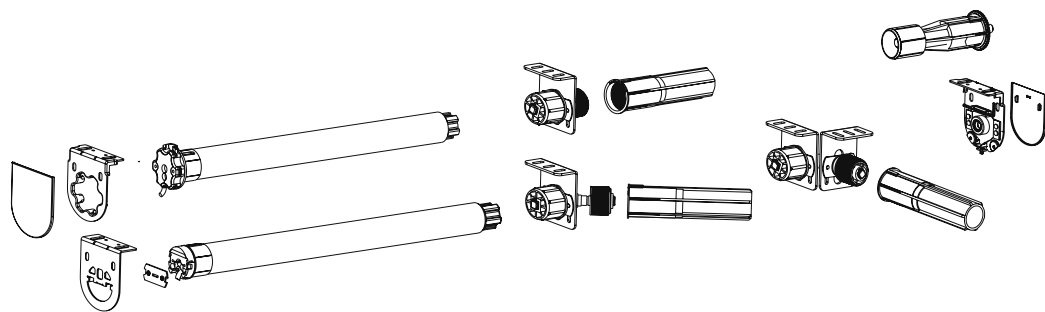
STANDARD ROLLER TUBE AND ACCESSORIES



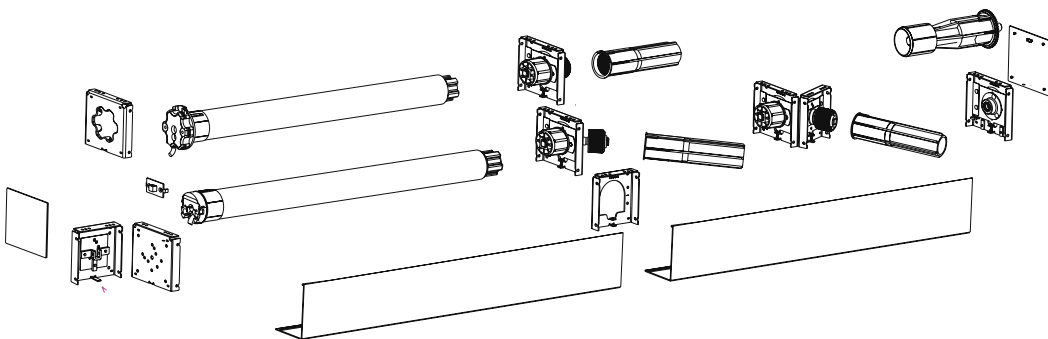
MOTOR BRACKETS AND ACCESSORIES FOR SOMFY 500 SERIES MOTORS



MOTOR U-JOINT INDEXABLE BRACKET FOR SOMFY 500 SERIES MOTORS



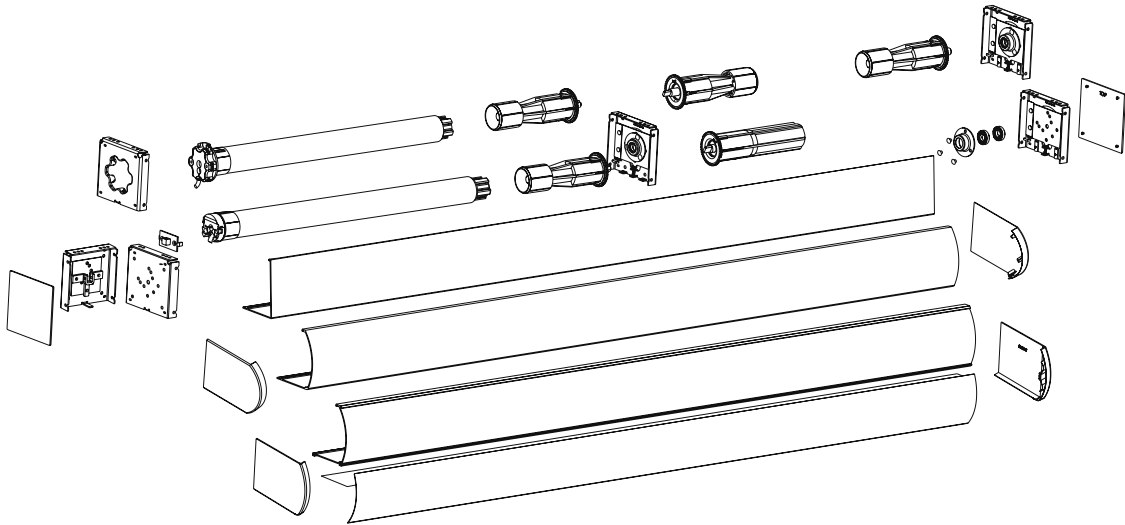
4" ADJUSTABLE U-JOINT INDEXABLE FASCIA BRACKET FOR SOMFY 500 SERIES MOTORS



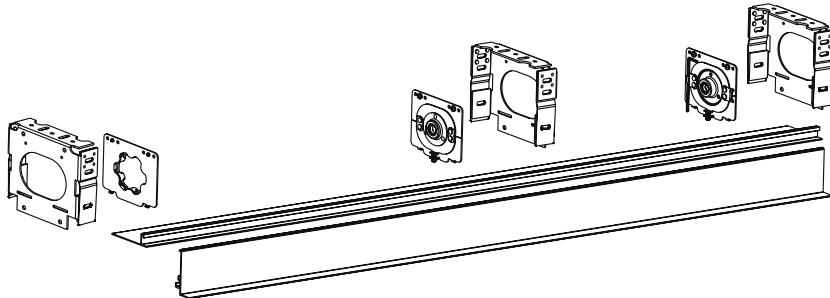
500 SERIES HARDWARE SYSTEMS

ZMC®

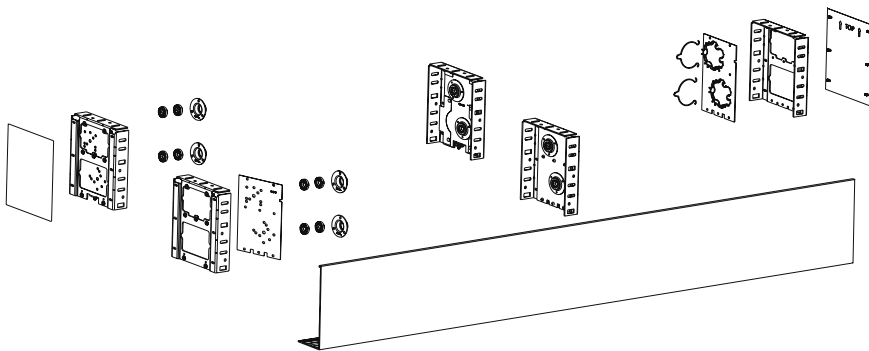
4" FASCIA BRACKETS FOR SOMFY 500 SERIES MOTORS



5.5" SMART HEAD BOX SYSTEM FOR SOMFY 500 SERIES MOTORS



7" FASCIA SYSTEM FOR SOMFY 500 SERIES MOTORS



7" SMART HEAD BOX SYSTEM FOR SOMFY 500 SERIES MOTORS

